

# Product Upgrade

Upgrade Effective:  
October 2016



Side Mounting Top Bracket  
Part S0199

## Side Mounting Top Bracket Part S0199 Product Upgrade

### What is changing and when?

Rexnord has upgraded the design of the Side Mounting Top Bracket Part S0199. The design of the bracket has been adjusted to make it more suitable for conveyors placed under an angle of inclination. At the same time, the design is made more hygienic thanks to smoother and rounder surfaces. It is available to order and ship as of October 2016.

### Are the products compatible?

The new design is 1:1 interchangeable with the original design.

### Does this upgrade affect price and warranty?

The price of the upgraded design as well as the warranty stays the same.

### Will there be a change in item description and code number?

Yes, part numbers have been created - see the table below.

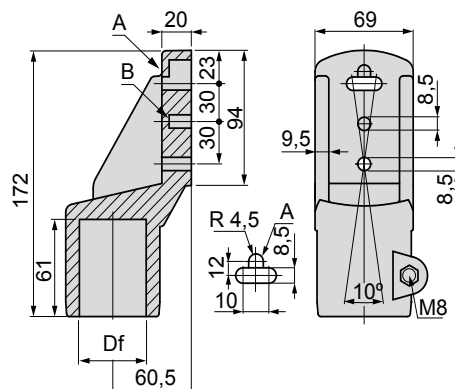
### Will the original design continue to be sold?

As soon as the stock of the original design runs out it will be discontinued.

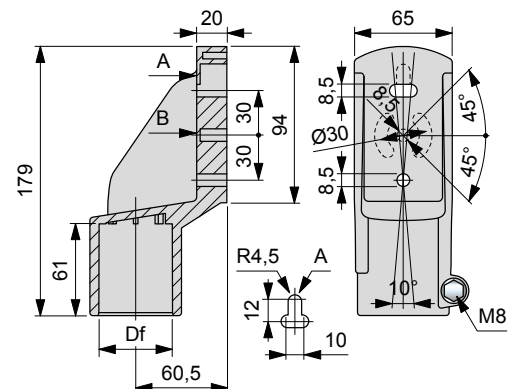
### New Part Numbers

Original Design		Updated Design	
Part Number	SAP Number	Part Number	SAP Number
S019959171	10085350	S019959171N	10402843
S0199664771	10085351	S0199664771N	10402844
S019961683	10372224	S019961683N	10402845
S0199645893	10372225	S0199645893N	10480428

### Original Design



### Updated Design



### More questions?

Contact your Rexnord FlatTop representative or Application Engineering team at +31 174 445 111